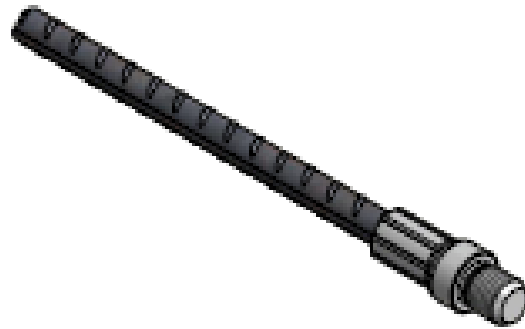


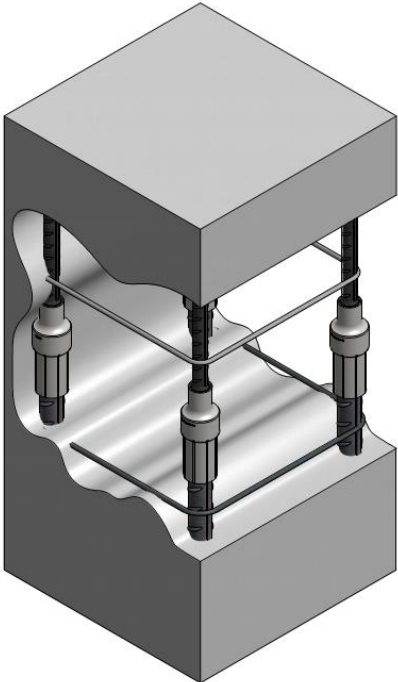
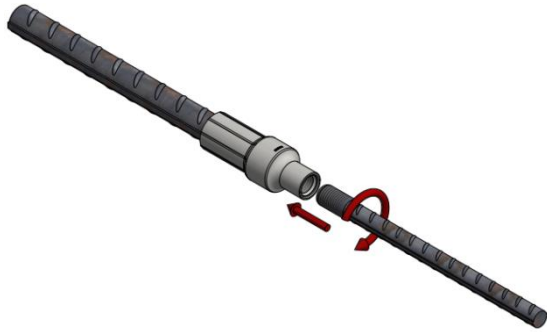
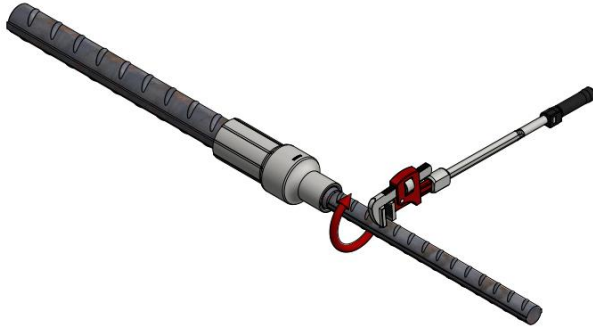
## MOUNTING INSTRUCTIONS



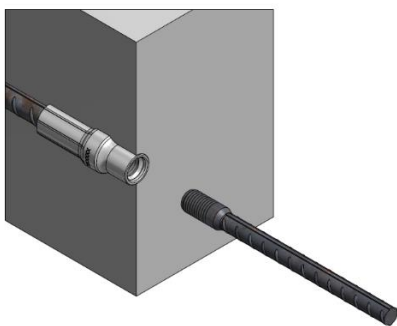
### REBAR CONNECTION SYSTEM | **PSA-T** **TRANSITION COUPLERS**



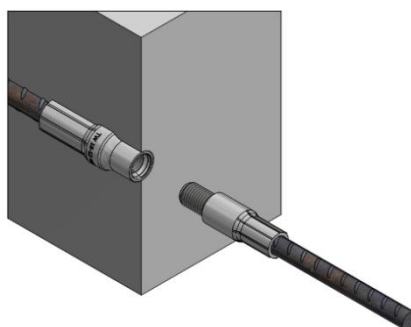
**INSTRUCTIONS FOR INSTALLING COUPLER PSA-T**

|   |   |   |
|---|---|---|
|  |   | <p><i>Place and rotate the TSE or PSA-PSC coupler in the PSA-T coupler.</i></p>   |
|   |  | <p><i>Finish the connection using a special TERWA torque wrench to tighten the connection. The connection must be sufficiently tight to prevent movement during concrete placement. The necessary torque for each type of rebar is shown in the table on <b>page 5</b>.</i></p> |

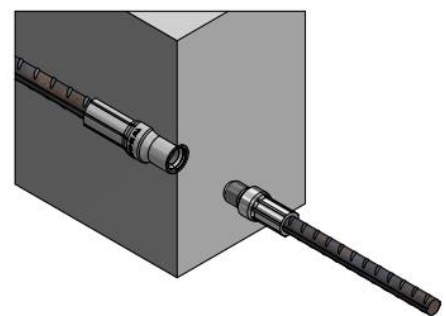
**Note:** Ensure both parts of the connecting bars are installed exactly in line with one another, as any misalignment may result in reduced concrete coverage, insufficient bar spacing or may compromise mounting of the connecting element. Corrective bending in the threaded zone of the bar is not allowed.



PSA-T – TSE connection



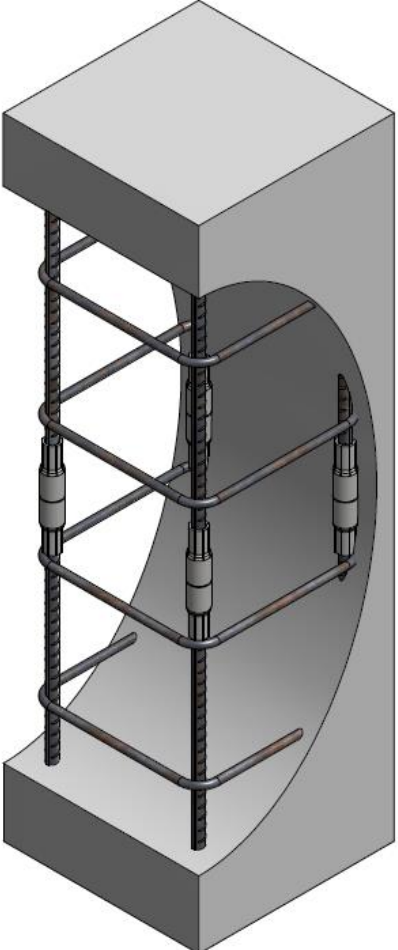
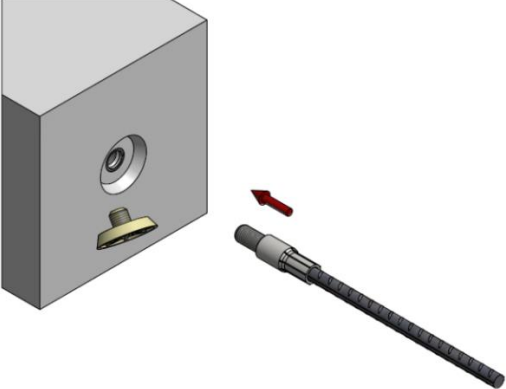
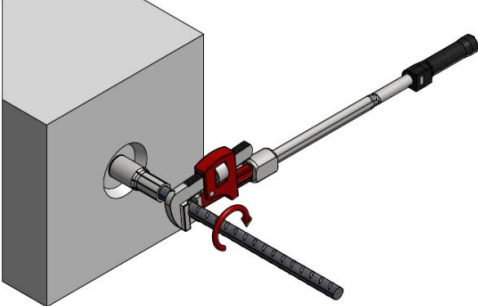
PSA-T – PSA-PSC connection



PSA-T – PSE connection

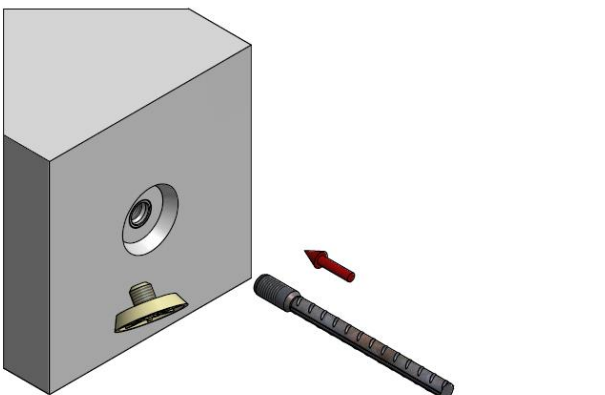
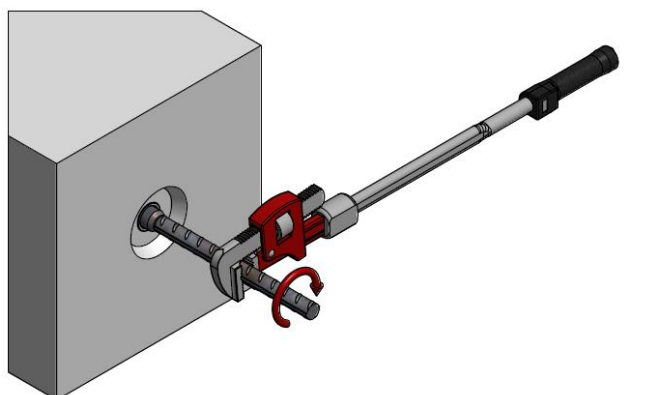
## INSTRUCTIONS FOR INSTALLING TERWA REBAR COUPLER

### INSTALL PSA COUPLER AND CONNECT TO COUPLER PSA-PSC

|  |   |   |
|--|---|---|
|  |   | <p><i>Place and rotate the PSA-PSC coupler manually until the couplers are fastened.</i></p>  |
|  |  | <p><i>Finish the connection using a special TERWA torque wrench to tighten the connection. The connection must be sufficiently tight to prevent movement during concrete placement. The necessary torque for each type of rebar is shown in the table on <b>page 5</b>.</i></p> |

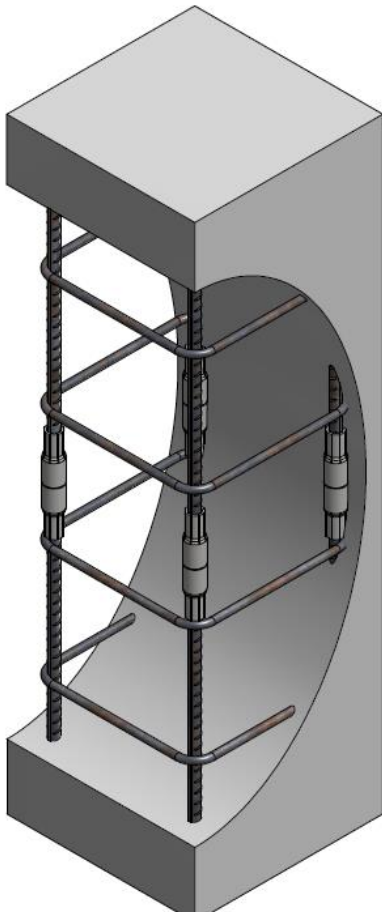
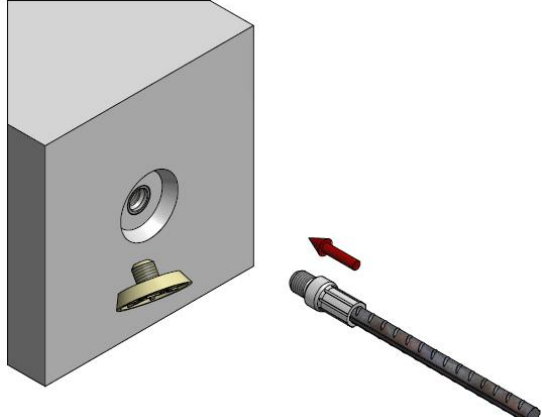
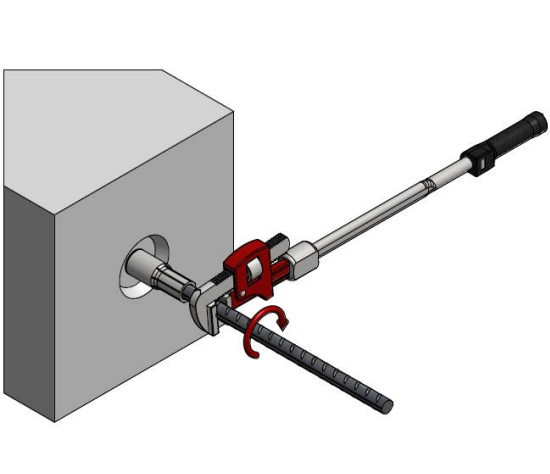
**Note:** Make sure both parts of the connecting bars are installed exactly in line with one another, as any misalignment may result in reduced concrete coverage, insufficient bar spacing or may compromise mounting of the connecting element. Corrective bending in the threaded zone of the bar is not allowed.

### INSTALL COUPLER PSA AND CONNECT TO COUPLER TSE

|   |   |
|---|---|
|  |   |
| <p>Place and rotate TSE coupler manually until the couplers are fastened.</p>     | <p>Finish the connection using a special TERWA torque wrench to tighten the connection. The connection must be sufficiently tight to prevent movement during concrete placement. The necessary torque for each type of rebar is shown on <b>page 5</b>.</p> |

**Note:** Make sure both parts of the connecting bars are installed exactly in line with one another, as any misalignment may result in reduced concrete coverage, insufficient bar spacing or may compromise mounting of the connecting element. Corrective bending in the threaded zone of the bar is not allowed.

### INSTALL PSA COUPLER AND CONNECT TO COUPLER PSA-PSE

|  |  |  |
|--|--|--|
|  |   | <p>Place and rotate PSE coupler manually until the couplers are fastened.</p>  |
|  |  | <p>Finish the connection using a special TERWA torque wrench to tighten the connection. The connection must be sufficiently tight to prevent movement during concrete placement. The necessary torque for each type of rebar is shown in the table on <b>page 5</b>.</p> |

## TERWA TORQUE WRENCH

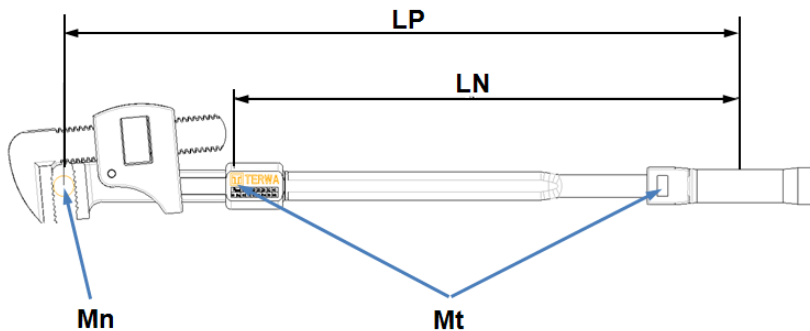
The Terwa torque wrench is specially designed for correctly mounting the Terwa coupler on site and at the factories. All Terwa wrenches are delivered with a calibration report and work instructions.

The torque values for all rebar diameters are marked on the wrench. The torque values for all Terwa couplers are listed below.

| Reinforcement diameter [mm] | Necessary torque for each type of rebar [Nm] | Setting torque using wrench Mt [Nm] |
|-----------------------------|--|-------------------------------------|
| 10                          | 50   | 60                                  |
| 12                          | 60   | 60                                  |
| 14                          | 70   | 60                                  |
| 16                          | 80   | 60                                  |
| 18                          | 90   | 70                                  |
| 20                          | 100  | 75                                  |
| 22                          | 110  | 82                                  |
| 25                          | 125  | 93                                  |
| 28                          | 140  | 104                                 |
| 32                          | 160  | 119                                 |
| 40                          | 200  | 148                                 |



TERWA torque wrench



*Mn* – required torque  
*Mt* – setting torque using wrench  
*LP* – length to middle of each reinforcement steel  
*LN* – standard length wrench

$$Mt = Mn \times LN / LP$$

TERWA wrench dimensions

## CONTACT



TERWA is the global supplier for precast and construction solutions with multiple offices around the world. With all our staff, partners and agents, we are happy to provide all construction and precast companies who work in the building industry with full service and 100% support.

## TERWA CONSTRUCTION GROUP

### Terwa Construction Netherlands (HQ)

**Global Sales & Distribution**  
Kamerlingh Onneslaan 1-3  
3401 MZ IJsselstein  
The Netherlands  
**T** +31-(0)30 699 13 29  
**F** +31-(0)30 220 10 77  
**E** [info@terwa.com](mailto:info@terwa.com)

### Terwa Construction Central East Europe

**Sales & Distribution**  
Strada Sânzieni  
507075 Ghimbav  
Romania  
**T** +40 372 611 576  
**E** [info@terwa.com](mailto:info@terwa.com)

### Terwa Construction Poland

**Sales & Distribution**  
Ul. Cicha 5 lok. 4  
00-353 Warszawa  
Poland  
**E** [info@terwa.com](mailto:info@terwa.com)

### Terwa Construction India & Middle East

**Sales & Distribution**  
India  
**T** +91 89 687 000 41  
**E** [info@terwa.com](mailto:info@terwa.com)

### Terwa Construction China

**Sales & distribution**  
5F 504, No. 101 Chuanchang road  
PRC, 200032, Shanghai  
China  
**E** [info@terwa.com](mailto:info@terwa.com)

**ALL SPECIFICATIONS CAN BE CHANGED WITHOUT PREVIOUS NOTICE.**

## DISCLAIMER

Terwa B.V. is not liable for deviations due to wear of the products it has delivered. Neither is Terwa B.V. liable for damage due to inaccurate and/or improper handling and use of the products it has delivered and/or use of same for purposes other than those intended.

Terwa B.V.'s responsibility is furthermore limited in accordance with article 13 of the "Metaalunie" conditions, which are applicable for all Terwa B.V. deliveries. The user is responsible for ensuring compliance with all applicable copyright laws. Without limiting the rights under copyright, no part of this documentation may be reproduced, stored in or introduced into a retrieval system, or transmitted in any form or by any means (electronic, mechanical, photocopying, recording, or otherwise), or for any purpose, without the express written permission of Terwa B.V.